

2022

# ORCA AERO



**ORBEA**

# GEO CHARTS

## ORCA AERO

TAILLES	47	49	51	53	55	57	60
1 - Tube de selle (C-T)	459	474	499	524	544	564	589
2 - Tube horizontal (EFF)	507,6	520,8	532,9	545,5	557,5	573,1	587
3 - Tube avant	93,1	100,8	117,2	134,9	155,2	173,2	200,4
4 - Base	408	408	408	408	408	408	408
5 - Hauteur de l'axe pédalier	260	260	260	262	262	262	262
6 - Inclinaison de l'axe pédalier	76	76	76	74	74	74	74
7 - Distance entre axes	966,2	971	974,8	976,1	986,4	996,9	1010,8
8 - Angle avant	71	71.5°	72.2°	72.8°	73°	73.2°	73.2°
9 - Angle de selle	74.5°	74°	73.7°	73.5°	73.5°	73.2°	73.2°
10 - Hauteur de base	717	728,5	750,1	775	794	811,6	835,8
11 - Largeur du cadre	370	376	380	385	391	398	404
12 - Hauteur du cadre	496	505	523	542	562	580	606
13 - Longueur fourche	370	370	370	370	370	370	370

HAUTEUR (cm)	HAUTEUR (in)	TAILLE
155-160	61.1"-63.0"	47
160-166	63.0"-65.4"	49
167-172	65.7"-67.7"	51
173-179	68.1"-70.5"	53
180-185	70.9"-72.8"	55
186-191	73.2"-75.2"	57
192-207	75.6"-81.5"	60



MyO  
CM



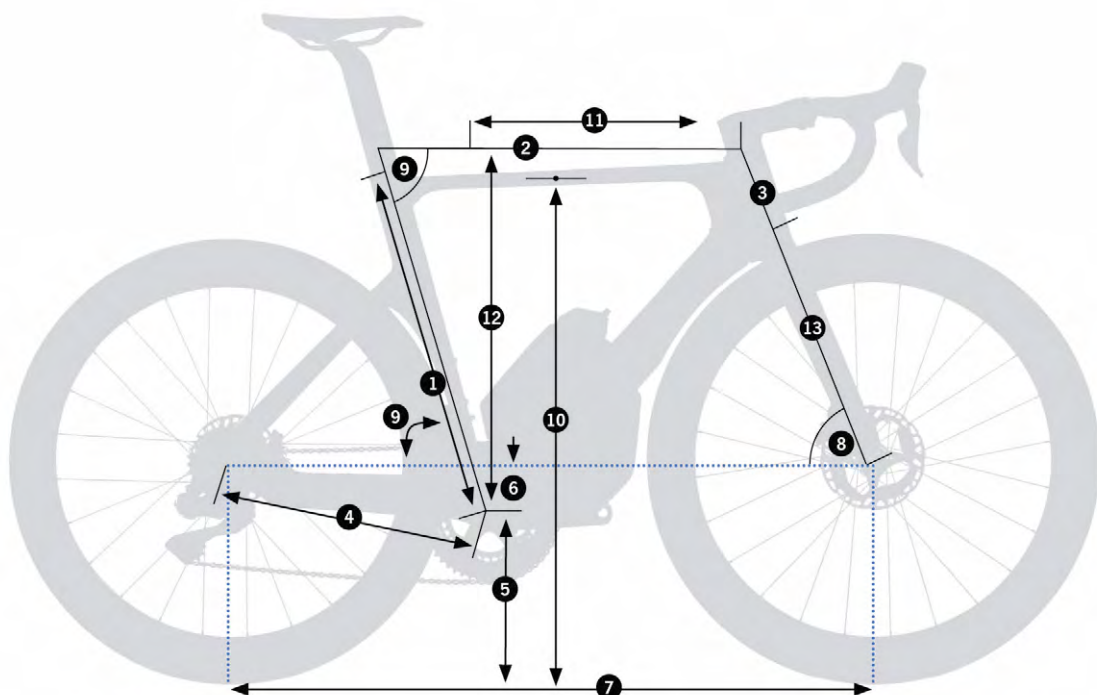
Red Wine (Gloss) - Carbono  
Raw (Matt) D6



Silvergreen (Gloss) - Black  
(Matt) D5



Borealis Blue - Carbon Raw  
(Gloss) D7



## ORCA AERO M10iLTD

Bote M137

Taille	Manivelle	Potence	Cintre
47	170	80	360
49	170	90	380
51	170	90	380
53	170	100	400
55	172	100	400
57	172	110	420
60	175	120	420



<b>Cadre</b>	Orbea Orca Aero Carbon OMX disc, monocoque construction, HS 1,5", BB 386, powermeter compatible, Thru Axle 12mm x 142mm rear, thread M12x2 P1, Speed release compatible, internal cable routing, EC/DC compatible.
<b>Fourche</b>	Orbea Orca Aero OMX ICR, full carbon, 1-1/8" - 1,5" tapered head tube compatible, Thru axle 12x100mm, thread M12x2 P1, Speed release compatible dropout.
<b>Pédalier</b>	Shimano Dura-Ace R9200 36x52t <i>Shimano Dura-Ace R9200 Powermeter 36x52t</i>
<b>Direction</b>	FSA 1-1/2" Integrated Aluminium Cup
<b>Cintre</b>	OC3 Aero Road Carbon, reach 80mm, drop 125mm
<b>Guidoline</b>	Orbea Anti-Slippery/Shock Proof
<b>Potence</b>	Orbea ICR -8°

<b>Manettes</b>	Shimano R9270
<b>Freins</b>	Shimano R9270 Hydraulic Disc
<b>Derailleur arrière</b>	Shimano Dura-Ace R9250 Di2
<b>Derailleur avant</b>	Shimano Dura-Ace R9250 Di2
<b>Chaîne</b>	Shimano CN-9100
<b>Roues</b>	Shimano R9250 C50 Disc Carbon TL CL <i>FULCRUM Speed 40 DB Carbon</i> <i>Vision 55 SC Disc Carbon TLR CL</i> <i>Vision 40 SC Disc Carbon TLR CL</i>
<b>Pignon</b>	Shimano Dura-Ace R9200 11-30t 12-Speed <i>Shimano Dura-Ace R9200 11-28t 12-Speed</i> <i>Shimano Dura-Ace R9200 11-34t 12-Speed</i>

<b>Blocage Arrière</b>	Orbea Thru Axle 12x142mm M12x2 P1 Lite
<b>Blocage Avant</b>	Orbea Thru Axle 12x100mm M12x2 P1 Lite
<b>Pneus</b>	Vittoria Corsa Competition G2.0 TLR 700x25c
<b>Tige de selle</b>	Orbea Aero OMX
<b>Selle</b>	Prologo Dimension T4.0 size 143 mm <i>Prologo Scratch-M5 Pas T2.0 size 140mm</i> <i>Fizik Argo Vento R5 size 140mm</i> <i>Selle Italia SLR Boost SuperFlow L Carbon Ceramic Rail oval</i> <i>Selle Italia SLR Boost SuperFlow L Manganese Rail</i>
<b>hydratation</b>	Orbea Aero Bottle and Bottle cage Set
<b>stockage</b>	Aero Accessory Container

## ORCA AERO M11eLTD

Bote M138

Taille	Manivelle	Potence	Cintre
47	170	80	360
49	170	90	380
51	170	90	380
53	170	100	400
55	172	100	400
57	172	110	420
60	175	120	420



<b>Cadre</b>	Orbea Orca Aero Carbon OMX disc, monocoque construction, HS 1,5", BB 386, powermeter compatible, Thru Axle 12mm x 142mm rear, thread M12x2 P1, Speed release compatible, internal cable routing, EC/DC compatible.
<b>Fourche</b>	Orbea Orca Aero OMX ICR, full carbon, 1-1/8" - 1,5" tapered head tube compatible, Thru axle 12x100mm, thread M12x2 P1, Speed release compatible dropout.
<b>Pédalier</b>	SRAM Red Dub 35x48t <i>SRAM Red 1 AXS Powermeter Dub 35x48t</i>
<b>Direction</b>	FSA 1-1/2" Integrated Aluminium Cup
<b>Cintre</b>	OC3 Aero Road Carbon, reach 80mm, drop 125mm
<b>Guidoline</b>	Orbea Anti-Slippery/Shock Proof
<b>Potence</b>	Orbea ICR -8°

<b>Manettes</b>	SRAM Red eTap AXS
<b>Freins</b>	SRAM Red eTap AXS
<b>Derailleur arrière</b>	SRAM Red eTAP
<b>Derailleur avant</b>	SRAM Red eTAP
<b>Chaîne</b>	SRAM Red 12-Speed
<b>Roues</b>	Vision 55 SC Disc Carbon TLR CL <i>Vision 40 SC Disc Carbon TLR CL</i>
<b>Pignon</b>	SRAM XG-1290 10-28t 12-Speed <i>SRAM XG-1290 10-33t 12-Speed</i>
<b>Blocage Arrière</b>	Orbea Thru Axle 12x142mm M12x2 P1 Lite
<b>Blocage Avant</b>	Orbea Thru Axle 12x100mm M12x2 P1 Lite

<b>Pneus</b>	Vittoria Corsa Competition G2.0 TLR 700x25c
<b>Tige de selle</b>	Orbea Aero OMX
<b>Selle</b>	Prologo Dimension T4.0 size 143 mm <i>Prologo Scratch-M5 Pas T2.0 size 140mm</i> <i>Fizik Argo Vento R5 size 140mm</i> <i>Selle Italia SLR Boost SuperFlow L Carbon Ceramic Rail oval</i> <i>Selle Italia SLR Boost SuperFlow L Manganese Rail</i>
<b>Batterie</b>	SRAM eTap Powerpack
<b>hydratation</b>	Orbea Aero Bottle and Bottle cage Set
<b>stockage</b>	Aero Accessory Container

## ORCA AERO M21eLTD

Bête		M136	
Taille	Manivelle	Potence	Cintre
47	170	80	360
49	170	90	380
51	170	90	380
53	170	100	400
55	172	100	400
57	172	110	420
60	175	120	420



<b>Cadre</b>	Orbea Orca Aero Carbon OMX disc, monocoque construction, HS 1,5", BB 386, powermeter compatible, Thru Axle 12mm x 142mm rear, thread M12x2 P1, Speed release compatible, internal cable routing, EC/DC compatible.
<b>Fourche</b>	Orbea Orca Aero OMX ICR, full carbon, 1-1/8" - 1,5" tapered head tube compatible, Thru axle 12x100mm, thread M12x2 P1, Speed release compatible dropout.
<b>Pédalier</b>	SRAM Force Dub 35x48t SRAM Force AXS Powermeter Dub 35x48t
<b>Direction</b>	FSA 1-1/2" Integrated Aluminium Cup
<b>Cintre</b>	OC3 Aero Road Carbon, reach 80mm, drop 125mm
<b>Guidoline</b>	Orbea Anti-Slippery/Shock Proof
<b>Potence</b>	Orbea ICR -8°

<b>Manettes</b>	SRAM Force eTap AXS
<b>Freins</b>	SRAM Force eTap AXS
<b>Derailleur arrière</b>	SRAM Force eTAP AXS
<b>Derailleur avant</b>	SRAM Force eTAP AXS
<b>Chaîne</b>	SRAM Force 12-Speed
<b>Roues</b>	Vision 40 SC Disc Carbon TLR CL Vision 55 SC Disc Carbon TLR CL
<b>Pignon</b>	SRAM XG-1270 10-28t 12-Speed SRAM XG-1270 10-33t 12-Speed
<b>Blocage Arrière</b>	Orbea Thru Axle 12x142mm M12x2 P1 Lite
<b>Blocage Avant</b>	Orbea Thru Axle 12x100mm M12x2 P1 Lite
<b>Pneus</b>	Vittoria Rubino Pro IV G2.0 TLR 700x25c

<b>Tige de selle</b>	Orbea Aero OMX
<b>Selle</b>	Prologo Dimension T4.0 size 143 mm Prologo Scratch-M5 Pas T2.0 size 140mm Fizik Argo Vento R5 size 140mm Selle Italia SLR Boost SuperFlow L Carbon Ceramic Rail oval Selle Italia SLR Boost SuperFlow L Manganese Rail
<b>Batterie</b>	SRAM eTap Powerpack
<b>hydratation</b>	Orbea Aero Bottle and Bottle cage Set
<b>stockage</b>	Aero Accessory Container

## ORCA AERO M20iLTD

Bête		M135	
Taille	Manivelle	Potence	Cintre
47	170	80	360
49	170	90	380
51	170	90	380
53	170	100	400
55	172	100	400
57	172	110	420
60	175	120	420



<b>Cadre</b>	Orbea Orca Aero Carbon OMX disc, monocoque construction, HS 1,5", BB 386, powermeter compatible, Thru Axle 12mm x 142mm rear, thread M12x2 P1, Speed release compatible, internal cable routing, EC/DC compatible.
<b>Fourche</b>	Orbea Orca Aero OMX ICR, full carbon, 1-1/8" - 1,5" tapered head tube compatible, Thru axle 12x100mm, thread M12x2 P1, Speed release compatible dropout.
<b>Pédalier</b>	Shimano Ultegra R8100 36x52t Shimano Ultegra R8100 34x50t with left side 4iiii Powermeter Shimano Ultegra R8100 36x52t with left side 4iiii Powermeter Shimano Ultegra R8100 34x50t
<b>Direction</b>	FSA 1-1/2" Integrated Aluminium Cup
<b>Cintre</b>	OC3 Aero Road Carbon, reach 80mm, drop 125mm

<b>Guidoline</b>	Orbea Anti-Slippery/Shock Proof
<b>Potence</b>	Orbea ICR -8°
<b>Manettes</b>	Shimano ST-8170
<b>Freins</b>	Shimano R8170 Hydraulic Disc
<b>Derailleur arrière</b>	Shimano Ultegra Di2 R8150
<b>Derailleur avant</b>	Shimano Ultegra Di2 R8150
<b>Chaîne</b>	Shimano M8100
<b>Roues</b>	Vision 40 SC Disc Carbon TLR CL FULCRUM Speed 40 DB Carbon Vision 55 SC Disc Carbon TLR CL Shimano R9250 C50 Disc Carbon TL CL
<b>Pignon</b>	Shimano Ultegra R8100 11-30t 12-Speed Shimano Ultegra R8100 11-34t 12-Speed

<b>Blocage Arrière</b>	Orbea Thru Axle 12x142mm M12x2 P1 Lite
<b>Blocage Avant</b>	Orbea Thru Axle 12x100mm M12x2 P1 Lite
<b>Pneus</b>	Vittoria Rubino Pro IV G2.0 TLR 700x25c Vittoria Corsa Competition G2.0 TLR 700x25c Prologo Scratch-M5 Pas T2.0 size 140mm Fizik Argo Vento R5 size 140mm Selle Italia SLR Boost SuperFlow L Manganese Rail Selle Italia SLR Boost SuperFlow L Carbon Ceramic Rail oval
<b>Tige de selle</b>	Orbea Aero OMX
<b>Selle</b>	Prologo Dimension T4.0 size 143 mm
<b>hydratation</b>	Orbea Aero Bottle and Bottle cage Set
<b>stockage</b>	Aero Accessory Container



## ORCA AERO M31eLTD PWR

Bête		M134	
Taille	Manivelle	Potence	Cintre
47	170	80	360
49	170	90	380
51	170	90	380
53	170	100	400
55	172	100	400
57	172	110	420
60	175	120	420



<b>Cadre</b>	Orbea Orca Aero Carbon OMX disc, monocoque construction, HS 1.5", BB 386, powermeter compatible, Thru Axle 12mm x 142mm rear, thread M12x2 P1, Speed release compatible, internal cable routing, EC/DC compatible.
<b>Fourche</b>	Orbea Orca Aero OMX ICR, full carbon, 1-1/8" - 1.5" tapered head tube compatible, Thru axle 12x100mm, thread M12x2 P1, Speed release compatible dropout.
<b>Pédalier</b>	SRAM Rival AXS Powermeter Dub 35x48t SRAM Rival Dub 35x48t
<b>Direction</b>	FSA 1-1/2" Integrated Aluminium Cup
<b>Cintre</b>	OC3 Aero Road Carbon, reach 80mm, drop 125mm
<b>Guidoline</b>	Orbea Anti-Slippery/Shock Proof
<b>Potence</b>	Orbea ICR -8°

<b>Manettes</b>	SRAM Rival eTap AXS
<b>Freins</b>	SRAM Rival eTap AXS
<b>Derailleur arrière</b>	SRAM Rival eTap AXS
<b>Derailleur avant</b>	SRAM Rival eTap AXS
<b>Chaîne</b>	SRAM Rival 12-Speed
<b>Roues</b>	FULCRUM Racing 400 DB Vision 55 SC Disc Carbon TLR CL Vision 40 SC Disc Carbon TLR CL
<b>Pignon</b>	SRAM XG-1250 10-30t 12-Speed SRAM XG-1250 10-36t 12-Speed
<b>Blocage Arrière</b>	Orbea Thru Axle 12x142mm M12x2 P1 Lite
<b>Blocage Avant</b>	Orbea Thru Axle 12x100mm M12x2 P1 Lite

<b>Pneus</b>	Vittoria Rubino IV G2.0 TLR 700x25c Vittoria Rubino Pro IV G2.0 TLR 700x25c Vittoria Rubino Pro IV G2.0 TLR 700x28c Vittoria Corsa Competition G2.0 TLR 700x25c
<b>Tige de selle</b>	Orbea Aero OMX
<b>Selle</b>	Prologo Dimension T4.0 size143 mm Prologo Scratch-M5 Pas T2.0 size 140mm Fizik Argo Vento R5 size 140mm Selle Italia SLR Boost SuperFlow L Carbon Ceramic Rail oval Selle Italia SLR Boost SuperFlow L Manganese Rail
<b>Batterie</b>	SRAM eTap Powerpack
<b>hydratation</b>	Orbea Aero Bottle and Bottle cage Set
<b>stockage</b>	Aero Accessory Container

## ORCA AERO M20LTD

Bête		M133	
Taille	Manivelle	Potence	Cintre
47	170	80	360
49	170	90	380
51	170	90	380
53	170	100	400
55	172	100	400
57	172	110	420
60	175	120	420



<b>Cadre</b>	Orbea Orca Aero Carbon OMX disc, monocoque construction, HS 1.5", BB 386, powermeter compatible, Thru Axle 12mm x 142mm rear, thread M12x2 P1, Speed release compatible, internal cable routing, EC/DC compatible.
<b>Fourche</b>	Orbea Orca Aero OMX ICR, full carbon, 1-1/8" - 1.5" tapered head tube compatible, Thru axle 12x100mm, thread M12x2 P1, Speed release compatible dropout.
<b>Pédalier</b>	Shimano Ultegra R8000 36x52t Shimano Ultegra R8000 36x52T with left side 4iiii Powermeter FSA Powerbox Alloy 34x50t FSA Powerbox Alloy 36x52t FSA Powerbox Carbon 34x50t FSA Powerbox Carbon 36x52t Shimano Ultegra R8000 39x53t Shimano Ultegra R8000 34x50T with left side 4iiii Powermeter Shimano Ultegra R8000 39x53T with left side 4iiii Powermeter Shimano Ultegra R8000 34x50t

<b>Direction</b>	FSA 1-1/2" Integrated Aluminium Cup
<b>Cintre</b>	OC3 Aero Road Carbon, reach 80mm, drop 125mm
<b>Guidoline</b>	Orbea Anti-Slippery/Shock Proof
<b>Potence</b>	Orbea ICR -8°
<b>Manettes</b>	Shimano ST-8020
<b>Freins</b>	Shimano R8070 Hydraulic Disc
<b>Derailleur arrière</b>	Shimano Ultegra R8000 SS
<b>Derailleur avant</b>	Shimano Ultegra R8000
<b>Chaîne</b>	KMC X11-EL
<b>Roues</b>	FULCRUM Racing 400 DB Vision 55 SC Disc Carbon TLR CL Vision 40 SC Disc Carbon TLR CL
<b>Pignon</b>	Shimano Ultegra R8000 11-30t 11-Speed Shimano Ultegra R8000 11-28 11-Speed Shimano Ultegra R8000 11-32 11-Speed
<b>Blocage Arrière</b>	Orbea Thru Axle 12x142mm M12x2 P1 Lite

<b>Blocage Avant</b>	Orbea Thru Axle 12x100mm M12x2 P1 Lite
<b>Pneus</b>	Vittoria Rubino IV G2.0 TLR 700x25c Vittoria Rubino Pro IV G2.0 TLR 700x25c Vittoria Rubino Pro IV G2.0 TLR 700x28c Vittoria Corsa Competition G2.0 TLR 700x25c
<b>Tige de selle</b>	Orbea Aero OMX
<b>Selle</b>	Prologo Dimension T4.0 size143 mm Prologo Scratch-M5 Pas T2.0 size 140mm Fizik Argo Vento R5 size 140mm Selle Italia SLR Boost SuperFlow L Carbon Ceramic Rail oval Selle Italia SLR Boost SuperFlow L Manganese Rail
<b>hydratation</b>	Orbea Aero Bottle and Bottle cage Set
<b>stockage</b>	Aero Accessory Container



**ORBEA**